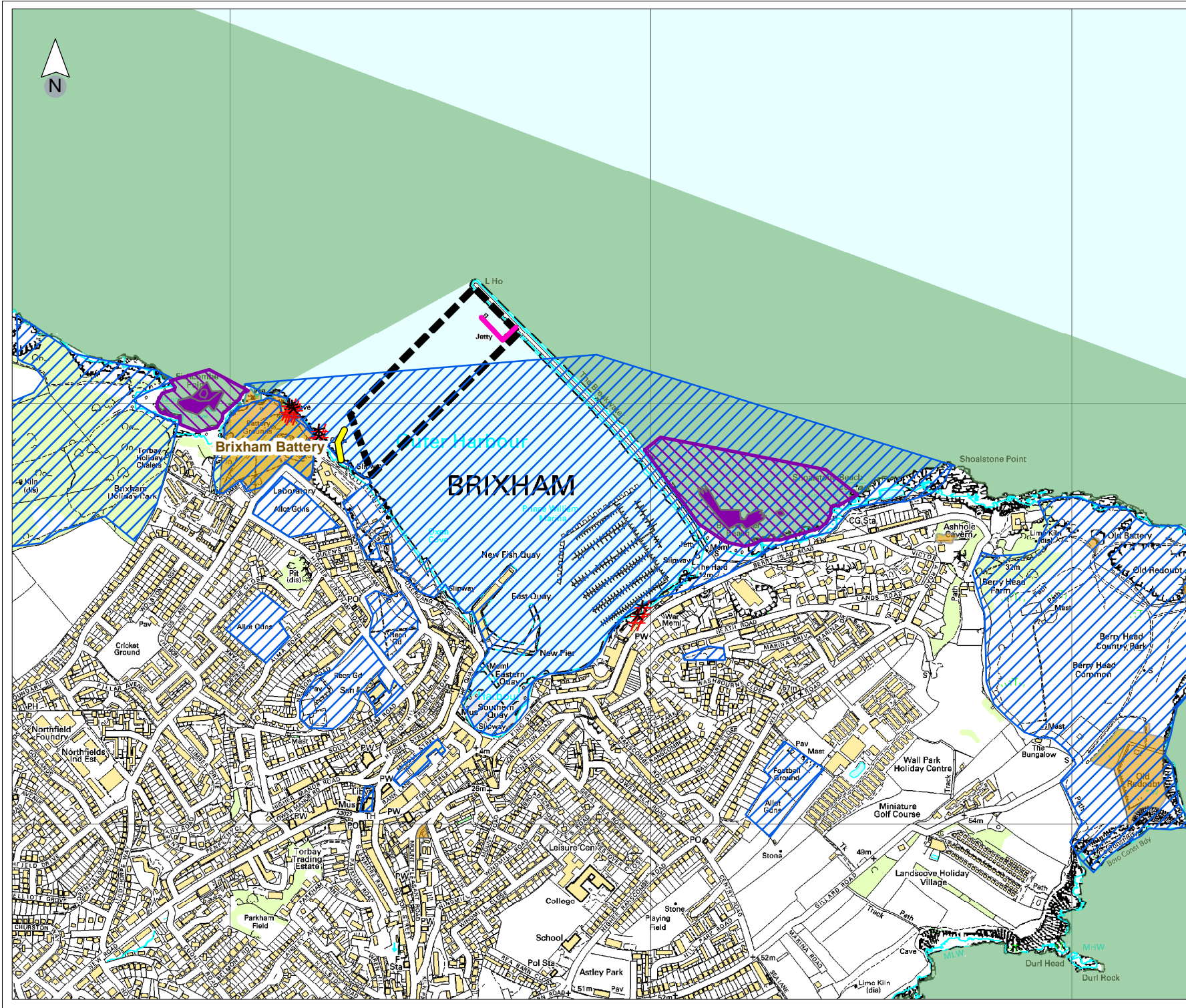


Appendix A – Figures / Drawings



Legend

-  Caves
-  Disused fuel jetty
-  Astra Zeneca inlet pipes
-  Zostera marina
-  Seagrass protection zone
-  Ownership
-  SAC candidate
-  Scheduled Monument
-  Area for construction of new breakwater

Title:
Brixham Harbour Constraints
Map

Project:
9W2488. Brixham Regeneration
Northern Arm Breakwater Design

Client:
Torbay Council

Date:
February 2011

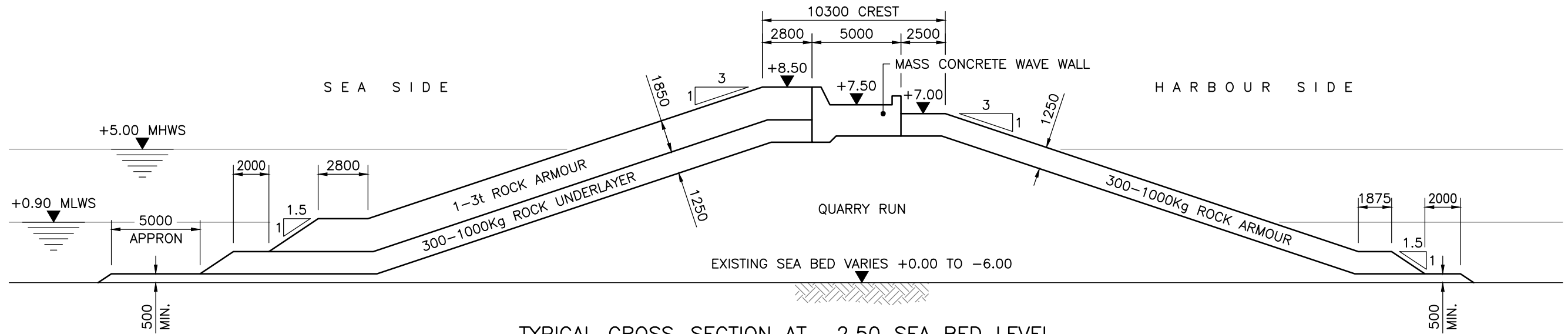
Scale:
1:12,000

Figure:
Constraints Plan

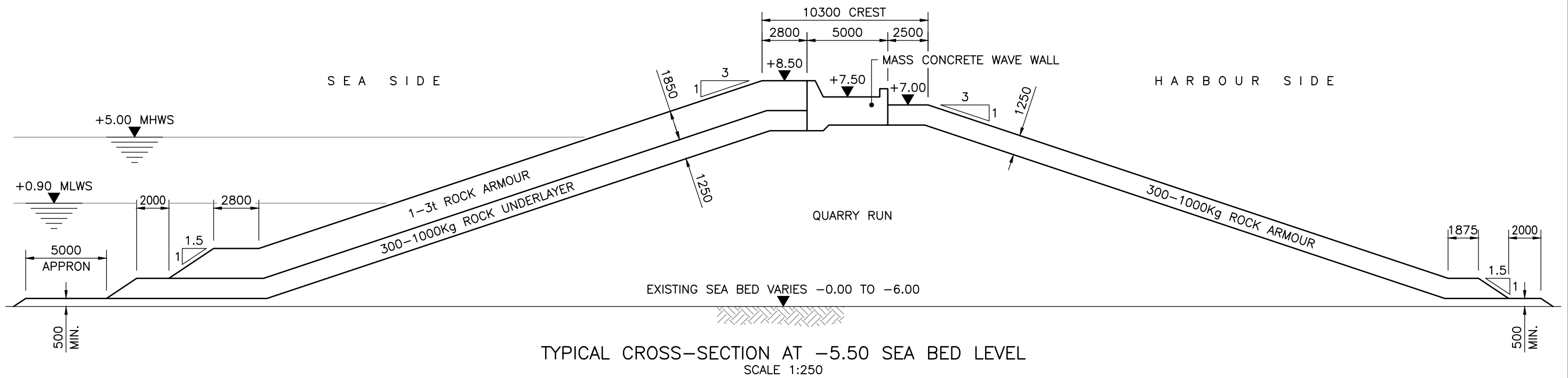


ROYAL HASKONING

DO NOT SCALE



TYPICAL CROSS-SECTION AT -2.50 SEA BED LEVEL
SCALE 1:250



TYPICAL CROSS-SECTION AT -5.50 SEA BED LEVEL
SCALE 1:250

TITLE	TYPICAL CROSS SECTIONS
-------	------------------------

PROJECT	BRIXHAM HARBOUR BREAKWATER DESIGN
---------	--------------------------------------


ROYAL HASKONING
 HASKONING UK LTD
 COASTAL AND RIVERS DIVISION
 Rightwell House
 Breton
 Peterborough PE3 8DW
 +44 (0)1733 334455 Telephone
 +44 (0)1733 262243 Fax
 info@peterborough.royalhaskoning.com E-mail
 www.royalhaskoning.com Internet

Job No.	9W2488
ACAD Ref.	9W2488_SK02.dwg
DRAWN	AW

DATE	29.03.11
CHECKED	TS
DRG No.	9W2488/SK02

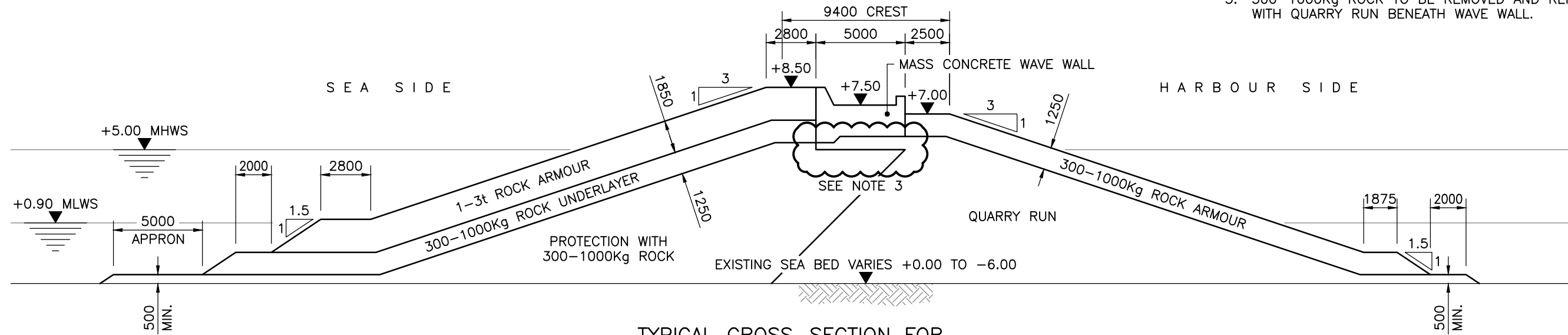
SCALE	1:250 @ A3
PASSED	AJS
REV	P2

Copyright © 2011 Haskoning UK Ltd.

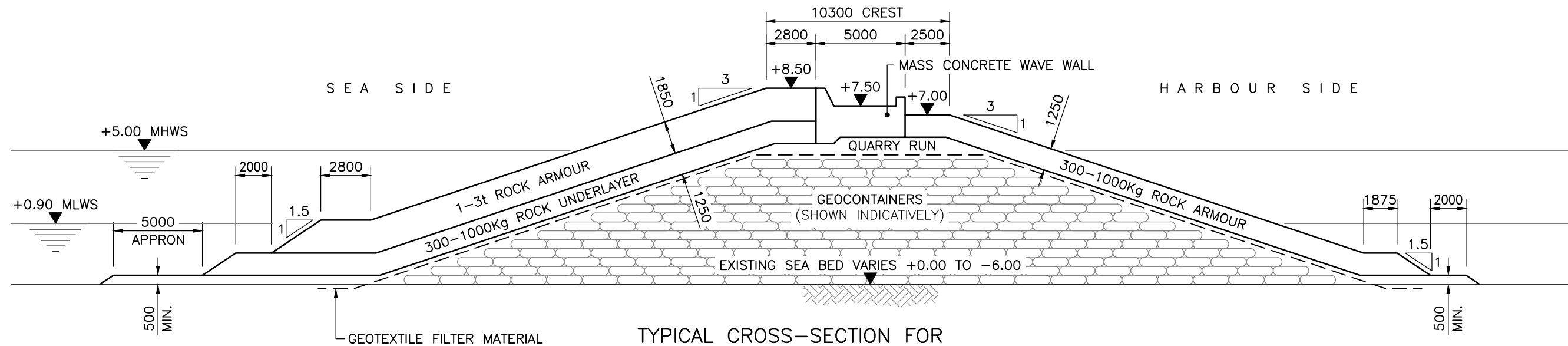
DO NOT SCALE

NOTES

1. ALL DIMENSIONS IN MILLIMETRES UNLESS NOTED OTHERWISE.
2. ALL LEVELS IN METRES RELATIVE TO CHART DATUM.
3. 300-1000Kg ROCK TO BE REMOVED AND REPLACED WITH QUARRY RUN BENEATH WAVE WALL.



TYPICAL CROSS-SECTION FOR
OPTION A: USE OF ROCK ARMOUR
SCALE 1:250



TYPICAL CROSS-SECTION FOR
OPTION B: USE OF GEOCONTAINERS
SCALE 1:250

TITLE	TYPICAL CROSS SECTIONS FOR CORE MOUND OPTIONS
-------	---

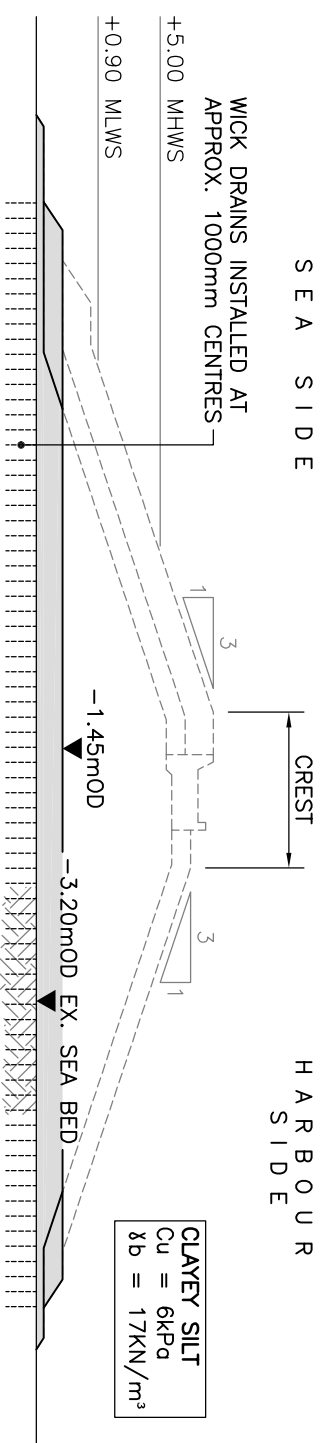
PROJECT	BRIXHAM HARBOUR BREAKWATER DESIGN
---------	-----------------------------------


ROYAL HASKONING
 HASKONING UK LTD
 COASTAL AND RIVERS DIVISION
 Rightwell House
 Breton
 Peterborough PE3 8DW
 +44 (0)1733 334455 Telephone
 +44 (0)1733 262443 Fax
 info@peterborough.royalhaskoning.com E-mail
 www.royalhaskoning.com Internet

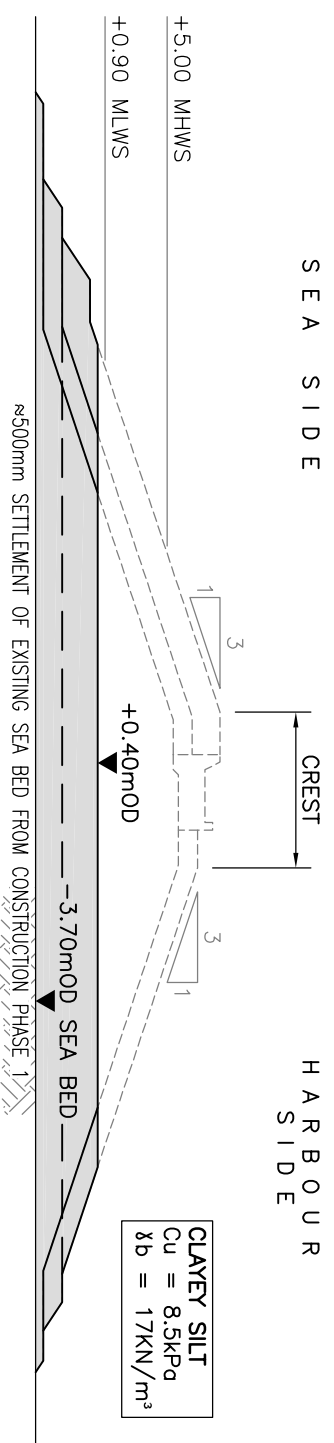
Job No.	9W2488	DATE	29.03.11	SCALE	1:250 @ A3
ACAD Ref.	9W2488_SK03.dwg	CHECKED	TS	PASSED	AJS
DRAWN	AW	DRG No.	9W2488/SK03	REV	P2

Copyright © 2011 Haskoning UK Ltd.

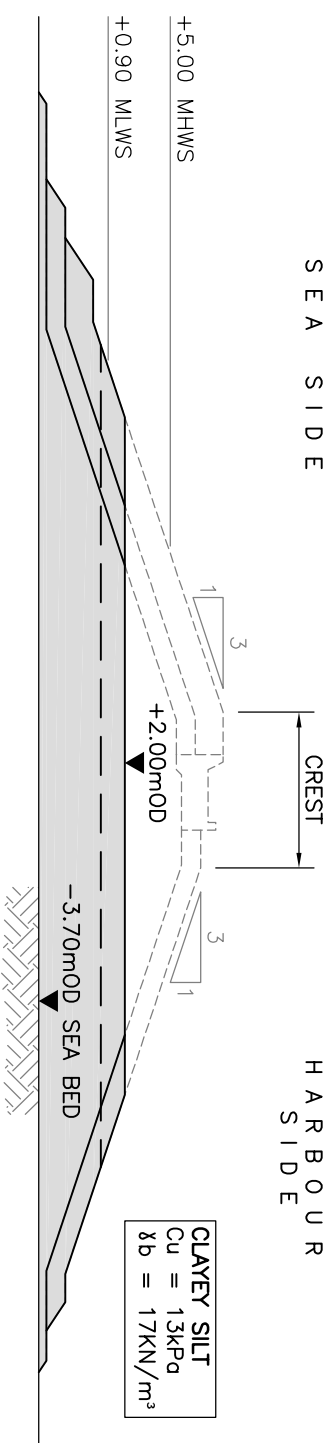
DO NOT SCALE



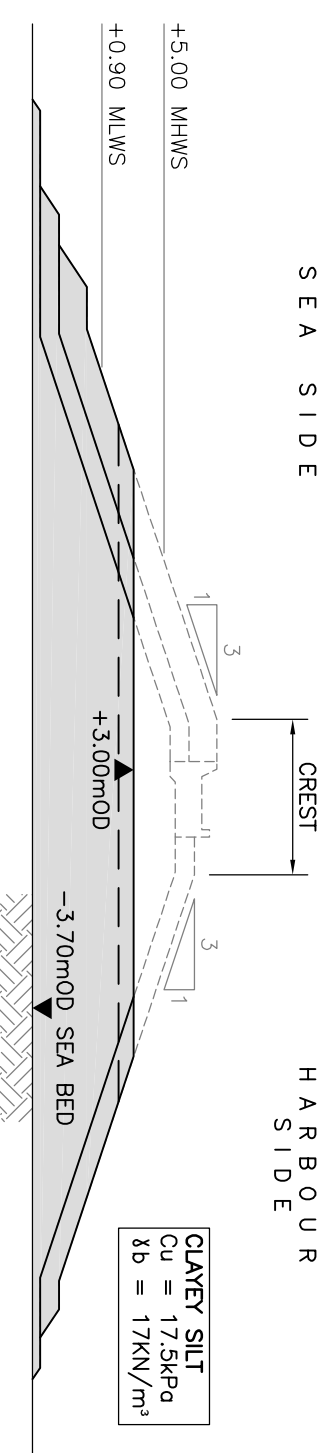
CONSTRUCTION PHASE 1;
INSTALLATION OF WICK DRAINS AND BEGIN PLACEMENT OF CORE MATERIAL AND DRAINAGE LAYER



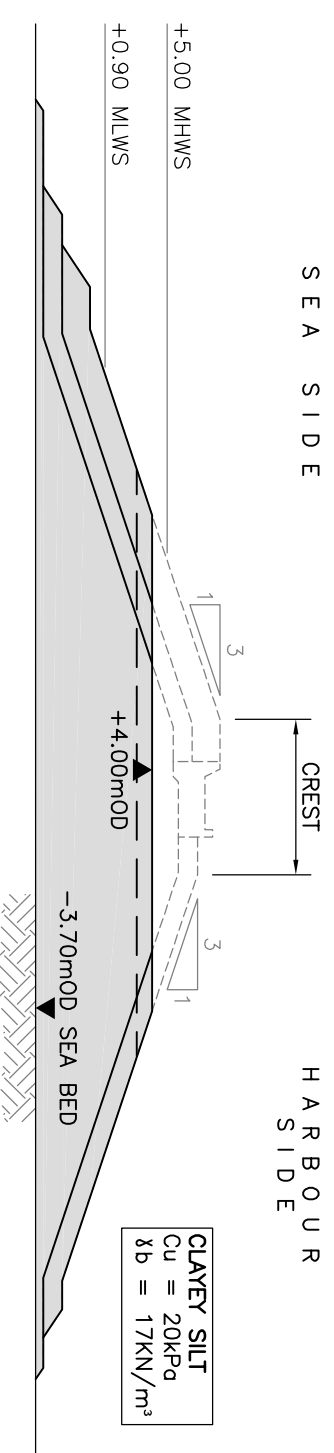
CONSTRUCTION PHASE 2;
PLACEMENT OF CORE MATERIAL AND ROCK ARMOUR IN 2350mm LAYER



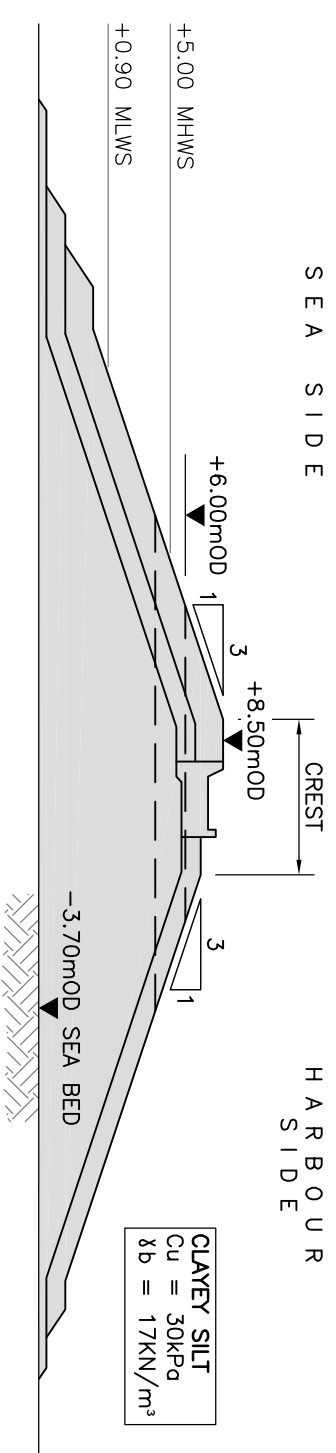
CONSTRUCTION PHASE 3;
PLACEMENT OF CORE MATERIAL AND ROCK ARMOUR IN 1600mm LAYER



CONSTRUCTION PHASE 4;
PLACEMENT OF CORE MATERIAL AND ROCK ARMOUR IN 1000mm LAYER



CONSTRUCTION PHASE 5;
PLACEMENT OF CORE MATERIAL AND ROCK ARMOUR IN 1000mm LAYER



CONSTRUCTION PHASE 6;
COMPLETE BREAKWATER IN TWO STAGES OF PLACEMENT:
a) PLACEMENT OF CORE MATERIAL AND ROCK ARMOUR IN 2000mm LAYER TO +6.00mCD
b) FINAL PLACEMENT OF CORE MATERIAL AND ROCK ARMOUR IN 2500mm LAYER TO +8.50mCD

TITLE		PROJECT		SCALE	
BREAKWATER STAGED CONSTRUCTION		BRIXHAM HARBOUR BREAKWATER DESIGN		NOT TO SCALE	
				Job No. 9W2488 DATE 29.03.11 CHECKED HDR PASSED - DRG No. 9W2488/SK04 REV P1	
COASTAL AND RIVERS DIVISION Highgate Station Peterborough PE3 8BY +44 (0)1753 334345 Telephone +44 (0)1753 334346 Fax info@haskoningroyalhaskoning.com E-mail www.royalhaskoning.com Website		HASKONING UK LTD Highgate Station Peterborough PE3 8BY +44 (0)1753 334345 Telephone +44 (0)1753 334346 Fax info@haskoningroyalhaskoning.com E-mail www.royalhaskoning.com Website		Copyright © 2011 Haskoning UK Ltd	

DO NOT SCALE

57400mN

NOTES

1. ALL DIMENSIONS IN MILLIMETRES UNLESS NOTED OTHERWISE.
2. ALL LEVELS IN METRES RELATIVE TO CHART DATUM.
3. ALL COORDINATES IN METRES RELATIVE TO ORDNANCE SURVEY NATIONAL GRID.
4. BATHYMETRIC SURVEY CARRIED OUT BY SHORELINE SURVEYS LTD IN 2009.

57200mN

+5.00mCD MHWS LINE AGAINST BREAKWATER SHOWN DASHED



T O R B A Y

57000mN

36000 LONG BREAKWATER
REFER TO SK02 FOR CROSS SECTIONS

80000 ENTRANCE

DISUSED FUEL JETTY TO BE DEMOLISHED AND REMOVED

AREA FOR PONTOON
DEVELOPMENT
(APPROX. 106000m²)

AREA FOR PONTOON
DEVELOPMENT
(APPROX. 72000m²)

70000 MINIMUM

56600mN

B R I X H A M

PRINCE WILLIAM
MARINA

56400mN

56200mN

291800mE

292000mE

292200mE

292400mE

292600mE

292800mE

293000mE

293200mE

293400mE

293600mE

TITLE

BREAKWATER
GENERAL ARRANGEMENT

PROJECT

BRIXHAM HARBOUR
BREAKWATER DESIGN

HASKONING UK LTD

COASTAL AND RIVERS DIVISION

Highway Station
Pineborough FS3 8QW
+44 (0)1753 33455 Telephone
+44 (0)1753 33455 Fax
info@pineborough.fs3.haskoning.com E-mail
www.fs3.haskoning.com Website

ROYAL HASKONING

Job No. 9W2488

DATE 29.03.11

SCALE 1:5000

ACAD Ref. 9W2488_SK05.dwg

CHECKED HDR

PASSED -

DRAWN AW

DRG No. 9W2488/SK05

REV P1

Copyright © 2011 Haskoning UK Ltd.